

"UDVPANEL" SOFTWARE QUICK GUIDE

This guide describes the main features and setting of the “UDVPanel” software for PC, which is required to receive calls from AgoràIP door station panels IPV11AGL or IPV12AGL.

1. Preliminary notes:

The program can be freely downloaded from “Download” section of http://www.acifarfisa.it/farfisa_ip_way/index_en.html web site.

By this program it is possible to manage up to 4 IP door stations at the same time within the same LAN.

In case the PC is equipped with audio card, microphone and speaker, it is possible to receive bi directional audio. Moreover, it allows to control both relays by the user interface.

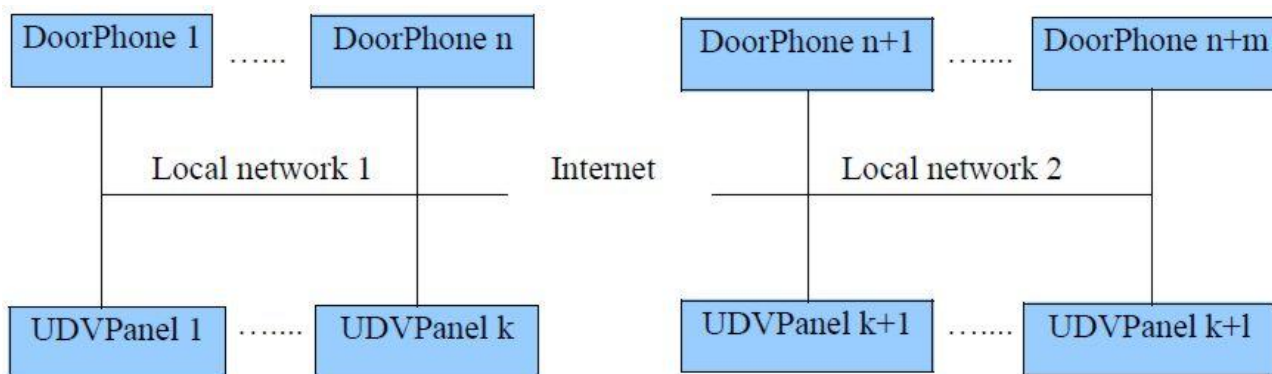
Once the program is installed, it must run on the system's tray to receive the calls from the AgoràIP door station. When a call occurs the program will open automatically the window with a message inquiring to answer and showing the video signal from the camera at the same time.

The "UDVPanel" software supports the connection to AgoràIP door stations working even in P2P or in SIP server modes.

Note:

- If SIP server mode is required, it is recommended to use software SIP server such as 3CX (for Windows based systems) or hardware devices such as Fritz!Box by AVM.

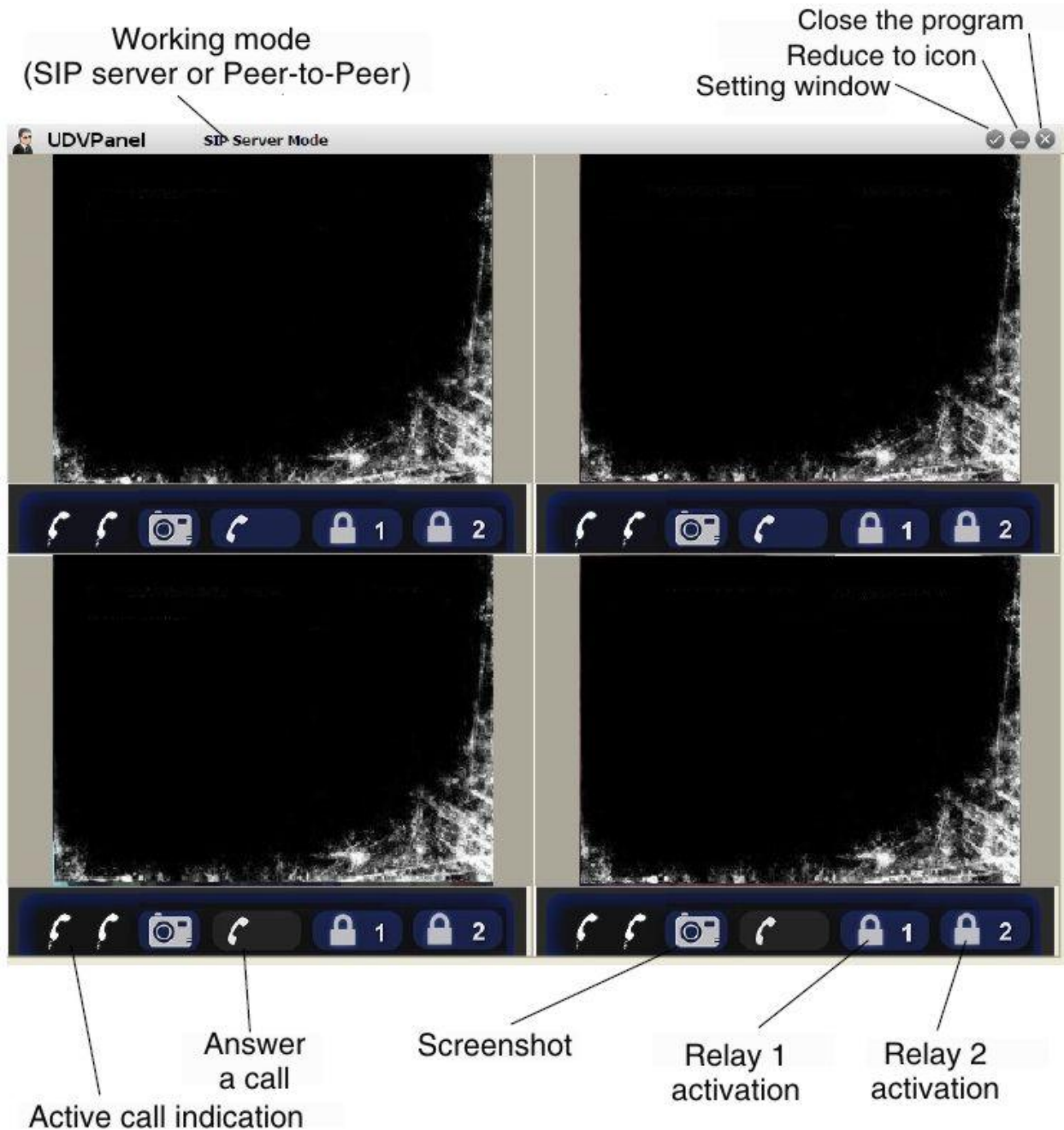
It is possible to run the UDVPanel software on unlimited number of PC's inside the same network.



The video signal and the commands to open the door are sent by a http connection on port 80, while the audio signal is transmitted through SIP protocol even when working in P2P mode or in SIP server mode.

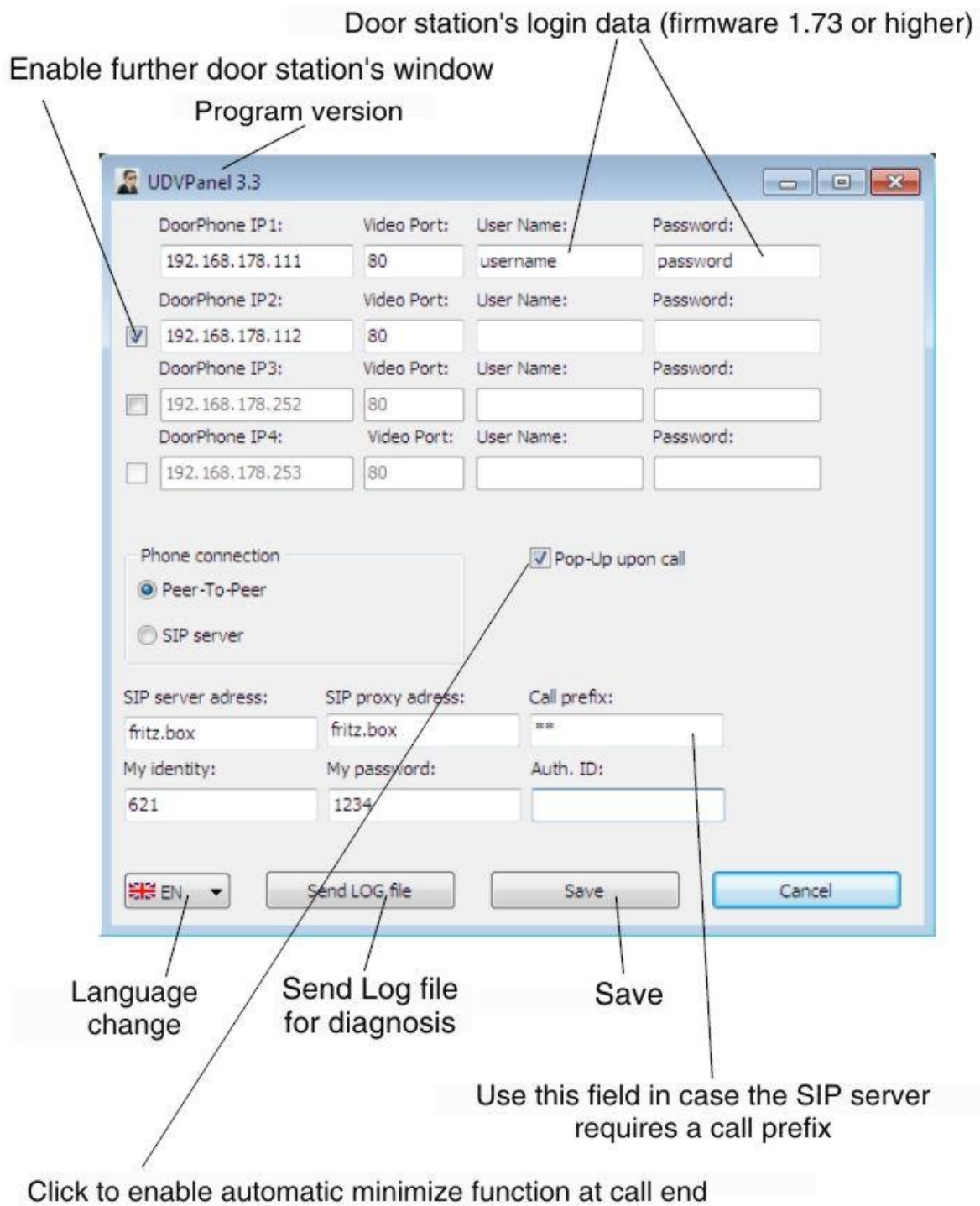
2. The main window:

The program's main window is showed here below and it is displayed as soon as the program is launched. The window can have just a section or it can be divided into 2, 3 or 4 parts (as showed on the picture below) according to how many door stations have been configured for connection. On the upper part of the window the active working mode (P2P or SIP Server) is showed. Using the \checkmark button it is possible to access the Setting window, by the “_” button the window will be reduced to icon even if it will keep running, while the “X” button will completely close the program. On the bottom part of the window there are the controls for communication activation, activate the door release (Relay 1 and Relay 2) and to take a screenshot.



3. The configuration window:

Clicking on the "Setting" button (identified by the √ symbol on the top right of the main window) the window interface for the connection configuration to the door stations will be displayed.



On the upper part of the window it is possible to set the door station IP addresses and the access parameters of each door station installed into the same LAN (user name and password are required only if the option "Protect Video by Password" on the door station configuration web page has been set, as described in the following section 4).

To enable connection to further door stations, up to 4 in total, click the box on the left.

Use the control button on the section "Phone Connection" to select the program's working mode between "Peer to Peer" and "SIP server", according to the mode set on the door station previously.

More details regarding the door station configuration are available on the complete installation manual which can be found on the AgoràIP web site (on "Download" section):

http://www.acifarfisa.it/farfisa_ip_way/index_en.html.

Note:

- In case of a system with multiple door stations, it is not allowed to mix up different working modes (P2P and SIP server) on the same network.

Click on the box "Pop-up upon call" to enable the function which allows to automatically open the the program's window when there is an incoming call and to minimize it at the end of the call.

In case of "**P2P mode**" assign the PC station's IP address to one of the call buttons of the AgoràIP.

If the door station's working mode is set to "**SIP server**", it is required to preliminary create an extension number on the SIP server PABX to be assigned to the PC station.

Then use the fields on the bottom part of the window to set the connection parameters (server IP address/proxy, prefix) and authentication to the PABX (user name, ID and password).

Finally, assign the SIP extension number of the PC station to one of the call buttons of the AgoràIP ("Memory Numbers" window of the web configuration page).

4. Access to a door station protected by password:

Video signal coming from the door station is not protected by default. To enable password request to display video signal, select the option "Protect Video by password" in the configuration web page. It will require also to fill in the login fields "User name" and "Password" in the "Setting" window of UDVPanel software.

Click on "Protect video by password" option and then "Save and restart" button

Day mode

Menu:

- Network setting
- Basic parameters
- SIP parameters
- Setting audio
- Setting video
- Relays
- Time parameters
- Memory numbers
- User interface
- Service
- Video
- Help

Language:

english

User interface:

Video on start page:

Protect video by password:

Only web browser will be able to display video

Video surveillance (H.264):

Push video:

Web interface tcp port:

Enable telnet:

The default access parameters to be set on "User Name" and "Password" fields of setting window are:

User name: **admin**

Password: **1234**

Notes:

- It is recommended to change the default access password of the door station. To change the access password, access the configuration page via web and select the section "Services" and set the new password on the field "Service password".

- The UDVPanel program is compatible with the following operating systems:
 - Windows 7 Professional 64 bit
 - Windows 7 Professional 32 bit
 - Windows 7 Home Premium 64 bit
 - Windows XP SP2

- Windows is a trademark of Microsoft Corp.